

# Kyoto

Centrifugal blood pump system



Prodotto da  
Manufactured by  
Fabriqué par  
Hersteller  
Fabricado por

N.G.C. Medical S.p.A:  
22060 Novedrate (CO) - Italy  
Ph: +39 031 794111  
Fax: +39 031 792130  
e-mail: [ngc@ngc.it](mailto:ngc@ngc.it)  
[www.ngc.it](http://www.ngc.it)

Distribuito da  
Distributed by  
Distribuè par  
Vertrieb  
Distribuido por

EUROSETS s.r.l.  
41036 Medolla (MO) - Italy  
Ph: +39 0535 660311  
Fax: +39 0535 51248  
e-mail: [info@eurosets.it](mailto:info@eurosets.it)  
[www.eurosets.it](http://www.eurosets.it)

**EUROSETS**<sup>TM</sup>  
MEDICAL DEVICES

*Friend of Patients*

# Kyoto

Centrifugal blood pump system

The centrifugal blood pump "Kyoto" with innovative ideas and many clinical cases in Japan, now makes its debut!

From the Japanese standard to the world standard

CE  
0051



## Compact

Low priming volume (40ml) with adequate hydraulic performance

## Longevity & Safety

Double pivot bearing system applied by artificial joint technology  
No extraneous material attributed to seal material  
Excellent performance of minimizing hemolysis under all conditions



\*Ultra High Molecular Weight Polyethylene

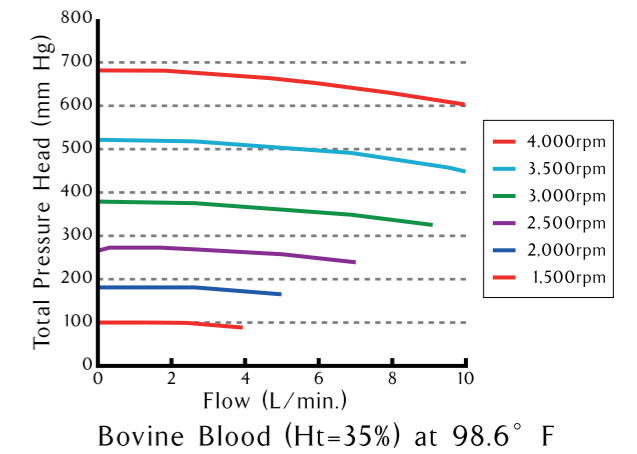
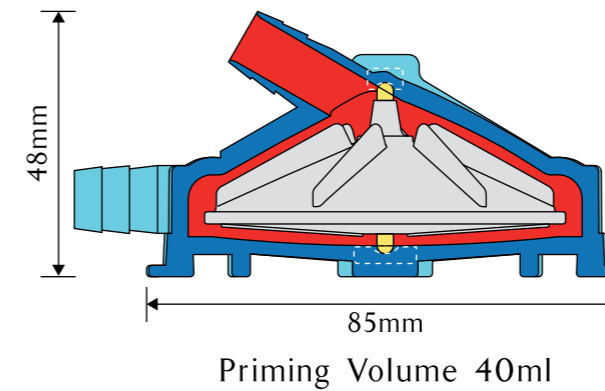


Easy, Flexible and Compact External Motor

Easy to use, Safety and Good Design Console

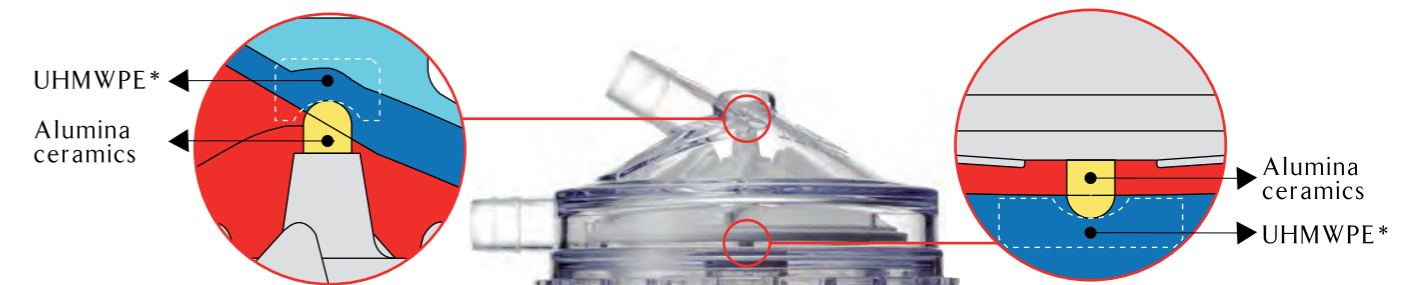
## Compact

### Size & Hydraulic Performance



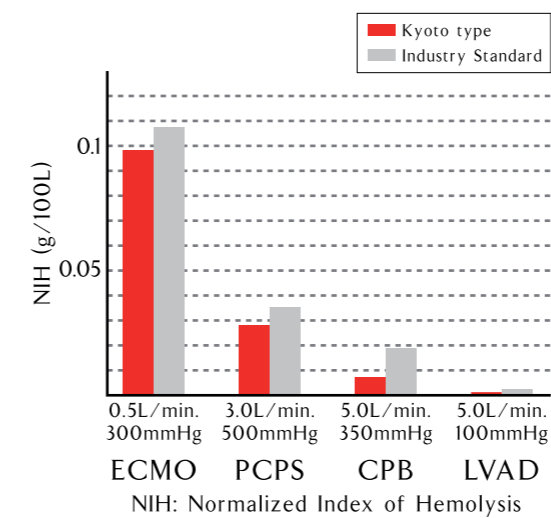
## Longevity & Safety

### Double Pivot Bearing System



"Kyoto" applies the pivot bearing system using the ARTIFICIAL JOINT technology for the longevity and the safety. The technology comes from bearing by the combination of alumina ceramics and UHMWPE\*. This combination is already used for ARTIFICIAL HIP & KNEE for a long time and shows good wear-performance and good biocompatibility.

## Hemolysis



## Console System



1. Console
2. Flow Meter
3. External Motor
4. Pressure Set
5. Power Cable

Handcrank